

Bio 2

Scanjet tank cleaning equipment



KEY FEATURES

- + Rotating spray
- + 360° spiral cleaning
- + Suited for small tanks
- + Low pressure
- + Low volume

Bio 2 is a rotating spray nozzle/head that is driven by the cleaning fluid and is a very effective CIP alternative compared to traditional static spray balls.

The fan like cleaning action provides improved coverage at low pressure whilst reducing the usage of cleaning media to a minimum. Each unit has a double ball bearing design that allows installation and operation in any position.

Quality Control, Compliances & Certifications

Bio 2 is manufactured in AISI 316/316L and can be polished according to specification. 3.1.B certificates can be quoted on request.

Typical applications for the Bio 2

- + IBC's
- + Small yeast tanks
- + Milk transportation
- + Large barrels
- + Large ducting
- + Small beverage tanks
- + Headboxes
- + Mixing vessels



BIO2_TCT_2016_01_14



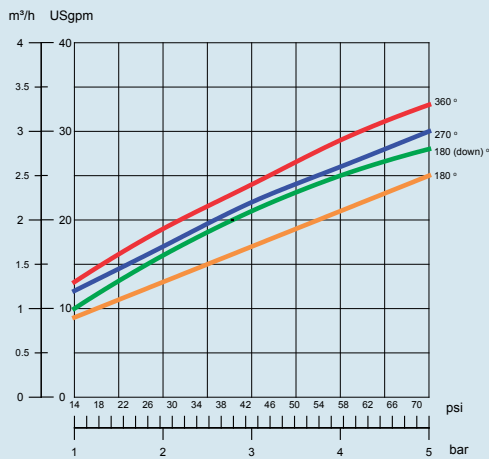
Distributed and Serviced by...
Tank Cleaning Technologies, Inc.
15200 Middlebrook Drive; Suite E
Houston, Texas 77058 - USA
Phone: +1 281.480.4041
Fax: +1 713 516.5883
Email: sales@tankcleantech.com

www.tankcleantech.com

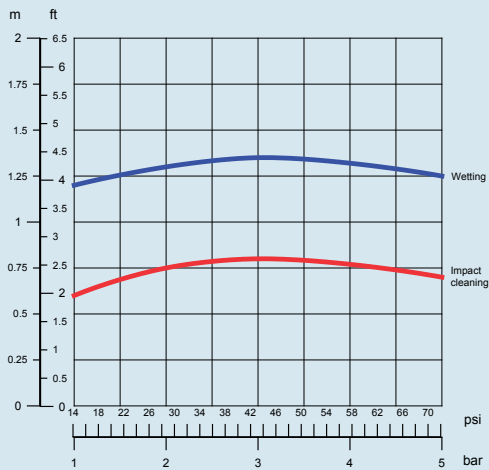
Stocking Locations in USA, Canada and Mexico



Technical performance

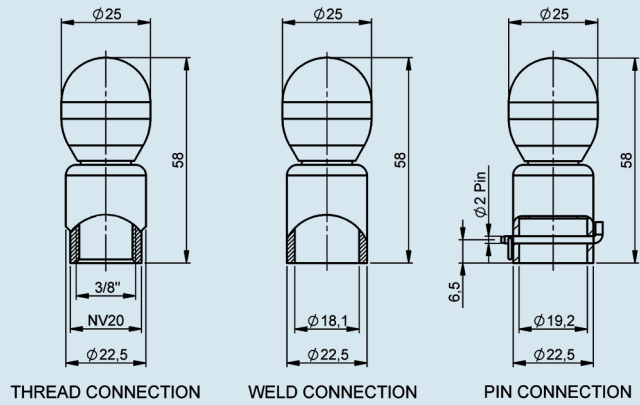


Pressure/Flow



Cleaning radius

Dimensions

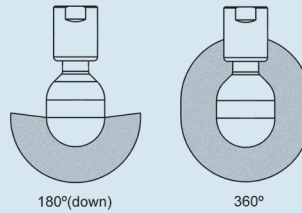


THREAD CONNECTION

WELD CONNECTION

PIN CONNECTION

Spray Pattern



Other spray patterns
are available on request

Specifications

Flow	0,9-3,3 m³/h
Inlet pressure	1-5 bar
Max pressure	5 bar
Recommended pressure	3 bar
Max working temperature	95°C
Max ambient temperature	140°C
Weight	100 g
Connection	$3/8''$ BSP or NPT, weld-on or pin
Material	Balls in AISI 316, all other parts in AISI 316L
Lubrication	Cleaning media

BIO2_TCT_2016_01_14



Distributed and Serviced by...
 Tank Cleaning Technologies, Inc.
 15200 Middlebrook Drive; Suite E
 Houston, Texas 77058 - USA
 Phone: +1 281.480.4041
 Fax: +1 713 516.5883
 Email: sales@tankcleantech.com

www.tankcleantech.com

Stocking Locations in USA, Canada and Mexico