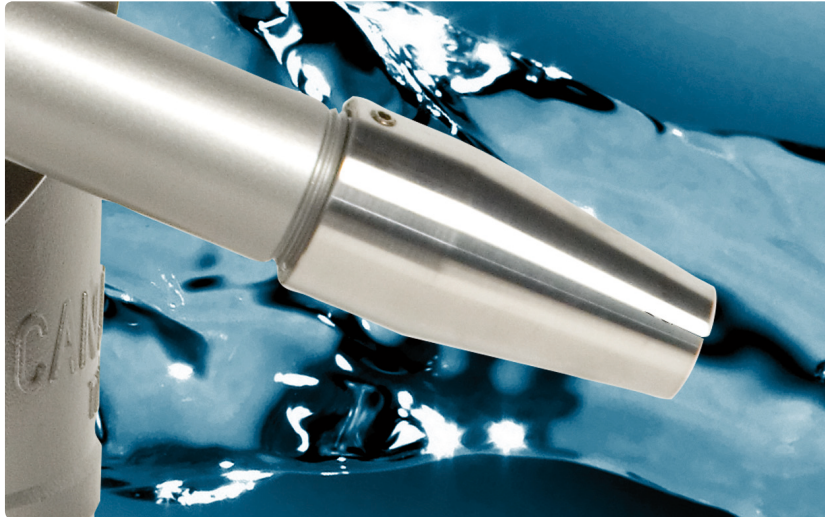


# SC 15TW

Scanjet tank cleaning equipment



## KEY FEATURES

- + Rugged construction
- + Adjustable turbine
- + ISO 9001 Quality
- + Exceptional jet lengths
- + Easy maintenance
- + 316 SS construction
- + Optimized cycle times
- + Flow through gearbox

The SC 15TW is a 1.5" dual or four nozzle automated tank cleaning machine constructed of 316 stainless steel and other highly corrosion resistant materials. It has a fixed to moving gear ratio of 47 to 49 allowing it to produce a homogenous 360° pattern that is superior to that of any other rotating jet head in it's class.

The SC 15TW is an integrated turbine class type of tank cleaning machine and employs an adjustable turbine and flow through gearbox. The adjustable turbine allows the rotation speed of the SC 15TW to be adjusted without the need of changing costly stators and/or gearing found in other similar cleaning devices.

### Quality Standards

The SC 15TW is produced in accordance with ISO 9001 Quality Standards and our certificate of conformity and accreditation is available on request.

Additionally, the SC15TW conforms to United States ASME standards for construction and others are available upon request.

### Typical applications for the SC 15TW:

- + Road and Rail tanker cleaning
- + Portable cleaning for contractors
- + Fermenter tank cleaning
- + Storage tank cleaning
- + Wine storage tanks and fermenters
- + Brewery storage tanks and fermenter



SC15TW\_TCT\_2016\_01\_14



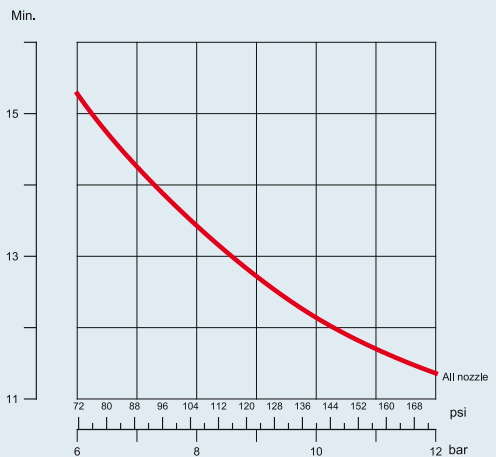
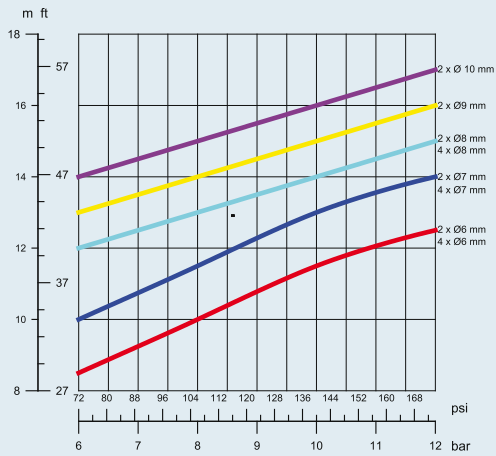
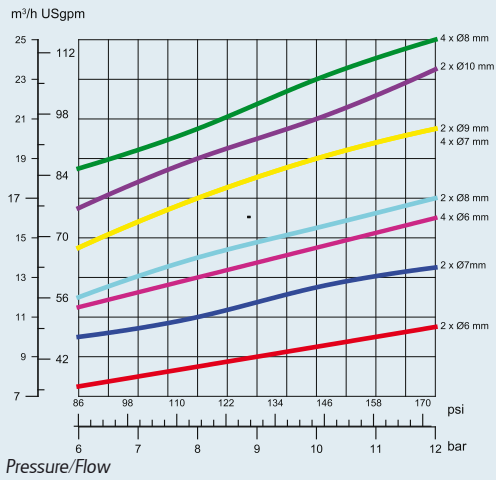
Distributed and Serviced by...  
Tank Cleaning Technologies, Inc.  
15200 Middlebrook Drive; Suite E  
Houston, Texas 77058 - USA  
Phone: +1 281.480.4041  
Fax: +1 713 516.5883  
Email: sales@tankcleantech.com

[www.tankcleantech.com](http://www.tankcleantech.com)

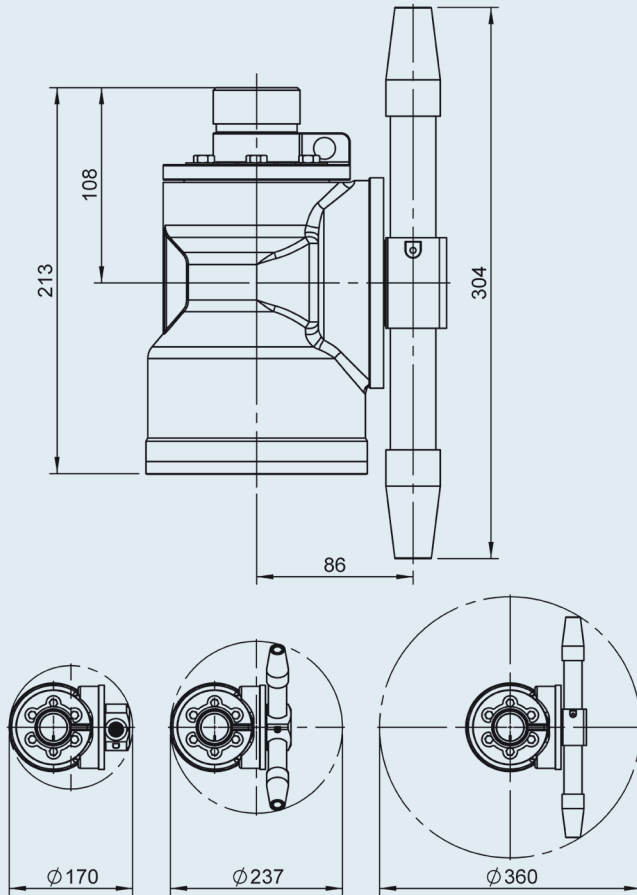
Stocking Locations in USA, Canada and Mexico



## Technical performance



## Dimensions



## Specifications

Flow	7-25 m <sup>3</sup> /h
Inlet pressure	6-12 bar
Max pressure	14 bar
Recommended pressure	8 bar
Max temperature	95°C
Rotation speed	1,5-4 rpm
Weight	9,2 kg
Inlet connection	1 1/2" BSP or NPT
Materials	Flanges as option
Lubrication	AISI 316, PTFE, PEEK
	Cleaning Media

SC15TW\_TCT\_2016\_01\_14



**Distributed and Serviced by...**  
 Tank Cleaning Technologies, Inc.  
 15200 Middlebrook Drive; Suite E  
 Houston, Texas 77058 - USA  
 Phone: +1 281.480.4041  
 Fax: +1 713 516.5883  
 Email: sales@tankcleantech.com

[www.tankcleantech.com](http://www.tankcleantech.com)

Stocking Locations in USA, Canada and Mexico