

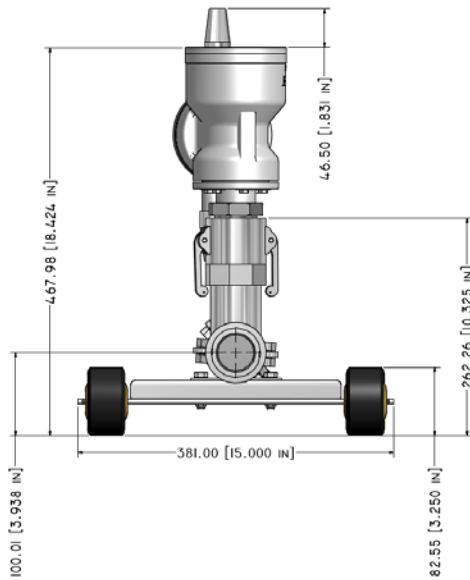
Product Data Sheet

Product : Trolley/Cart – SC15TW
 Model : 02PN.1658-00

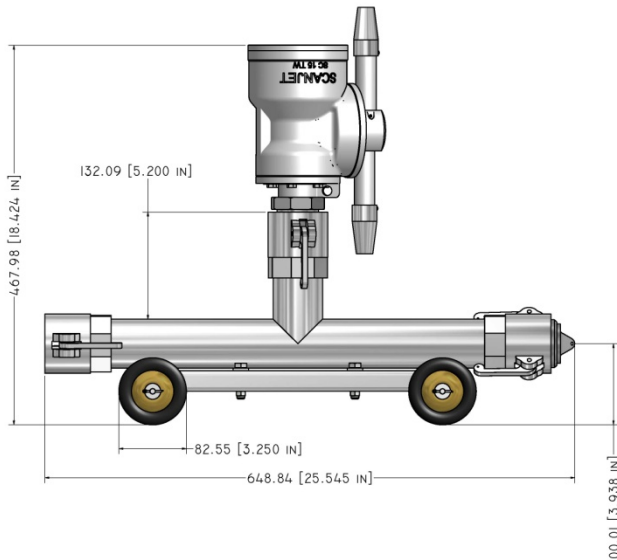
The TCT Trolley is designed for use with the Type SC15TW, SC15TWG, SC45TW, BIO10 and BIO25 tank cleaning machines... specifically in portable cleaning applications. The trolley is designed to fit through most man ways with or without the tank cleaning machine attached. The trolley comes complete with quick disconnect couplings for easy connection to the spray nozzle and for connection in series if more than one trolley is needed for a cleaning application. The trolley is shipped with a plug on one end in case it is used singularly.

Industries

- Brewing
- Distilleries
- Wineries
- Food
- Others...



Trolley with SC15TW - End View (DIM in mm/in)



Trolley with SC15TW - Side View (DIM in mm/in)

Specifications - Summary

Materials of Construction

- 316L Stainless Steel
- Buna N Gaskets
- Nitrile Wheels

Pressure Rating

- 300 PSIG (21 BAR)

Connections

- 2.00" Quick Coupling (Female)
- Note: Shipped with plug on one end

Weight

- Cart Only: 25 lbs. (11.36 kg)

Reference Drawing

- 177601-01.04

Other materials available on request.