

# Bio 5SB

## Scanjet Rotary Spray Head



Bio 5SB is a slim rotary spray head suitable for medium sized process vessels. The Bio 5SB has a unique hygienic design following stringent EHEDG guidelines. The machine is completely self-draining and its simple design ensures zero maintenance and maximal running life. The rotary spray head is a low pressure device, where rotation is powered by the eccentric flow of the cleaning liquid through the spray head. Through multiple spray patterns, residue is removed efficiently using a limited amount of cleaning fluid. Thanks to its simplified and effective design, it can be used in a wide range of applications and can be installed in any position or angle.

### Typical Applications:

- Mixing vessels
- Reactors
- Yeast tanks
- Intermediate Bulk Containers (IBC)
- Beverage tanks
- Paint manufacturing tanks
- Glue production tanks

### Features & Benefits:

- Hygienic design
- Rotating spray
- Self-cleaning & self-draining
- Sanitary design
- Long life time
- Low operating pressure
- Highly efficient cleaning
- Minimised fluid consumption & usage of cleaning chemicals



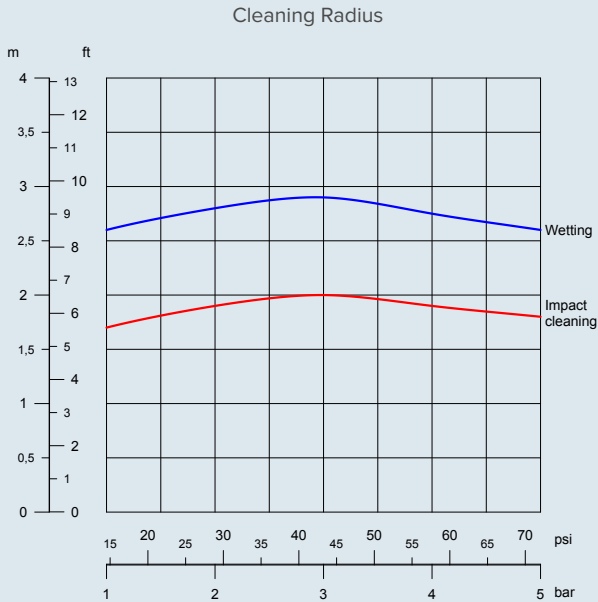
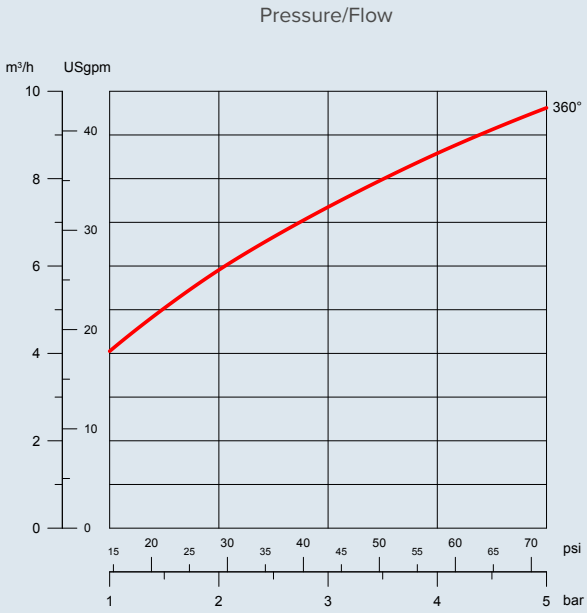
**Distributed and Serviced by...**  
Tank Cleaning Technologies, Inc.  
15200 Middlebrook Drive; Suite E  
Houston, Texas 77058 - USA  
Phone: +1 281.480.4041  
Fax: +1 713 516.5883  
Email: sales@tankcleantech.com

[www.tankcleantech.com](http://www.tankcleantech.com)

Stocking Locations in USA, Canada and Mexico

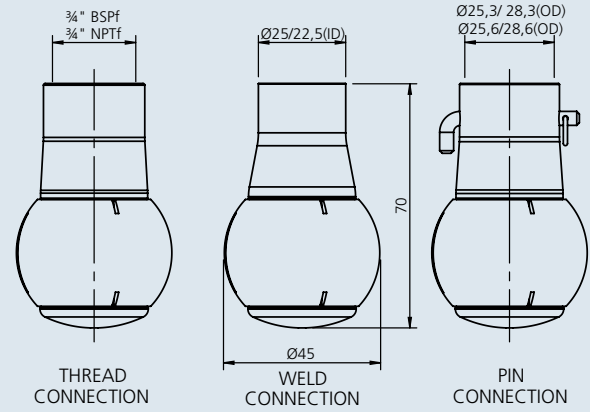


## Technical Performance

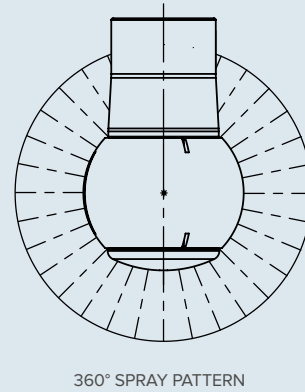


We reserve the right to changes without prior notice. Issue 02-05:15

## Dimensions



## Spray Pattern



360° SPRAY PATTERN

## Specifications

Flow:	4-9.6 m <sup>3</sup> /hour
Inlet pressure:	1-5 bar
Max pressure:	5 bar
Recommended pressure:	3 bar
Max temperature:	95°C
Max ambient temperature:	140°C
Weight:	280 g
Connections standards:	3/4" NPT/BSP, weld-on or PIN
Material:	AISI 316L, PEEK
Lubrication:	Cleaning media
Surface finish:	0.8 µm
Certificates:	EN10204-2.1, 2.2 and 3.1

Bio 5SB\_TCT\_2017.02.23



[www.tankcleantech.com](http://www.tankcleantech.com)

Stocking Locations in USA, Canada and Mexico

**Distributed and Serviced by...**  
 Tank Cleaning Technologies, Inc.  
 15200 Middlebrook Drive; Suite E  
 Houston, Texas 77058 - USA  
 Phone: +1 281.480.4041  
 Fax: +1 713 516.5883  
 Email: [sales@tankcleantech.com](mailto:sales@tankcleantech.com)

