

Orbijet manway assembly for external drive tank cleaning machines consist of the main cone assembly, plus the valve assembly, and plus the quick coupled inlet assembly. The primary tank cleaning systems that this manway has been designed for is our SC40RT dual nozzle tank cleaning system with external drive and/or our SC30T single nozzle programmable tank cleaning system. These component assemblies can be purchased separately or installed by our factory on the SC40RT and/or SC30RT specification of your choice. This manway assembly is designed for portable use in that it is intended that the SC30T and/or SC40RT units are installed into the tank to be cleaned and then removed when cleaning has been completed. Maximum downpipe lengths of the SC40RT and/or SC30RT is approximately 7 feet. Standard length is 60 inches (approx) or 1500mm.

## Manway Assembly External Drive Units

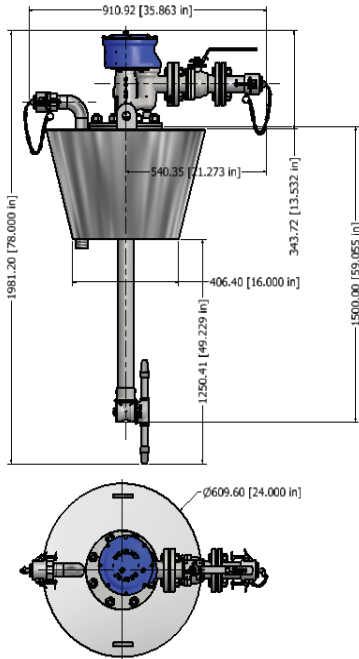
### Features

- 316 Stainless Steel
- Quick Couplings
- Fits Most Tankers
- Ball Valves
- Capped Fittings

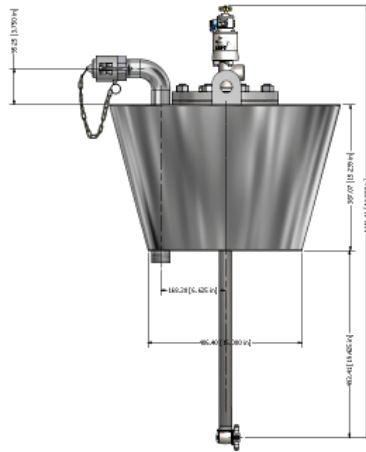
### Industries

- Road Transportation
- Rail Transportation
- Chemical Processing
- Oil and Gas
- Refineries

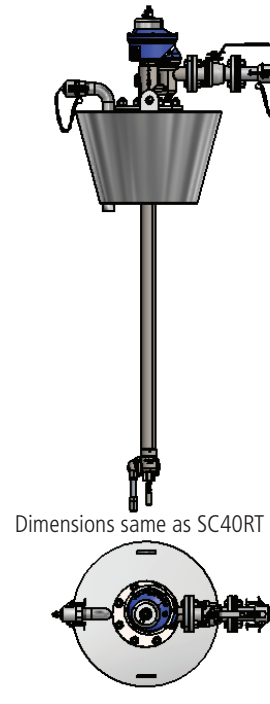
SC40RT Manway Assembly



SC20AHP Manway Assembly



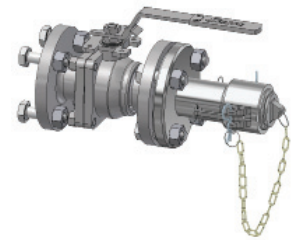
SC30T Manway Assembly



Adapter Flange - Ref 04



Cone Assembly - Ref 01



Valve Assembly - Ref 02

Ref	Part Number	Qty	Material	Drawing	Weight	Description
01	01PN.1029-00	1	316 SS	01.8877.02	91.45 lbs.	Manway cone; with mounting hardware and vapor recovery port
02	01PN.1030-00	1	316 SS	01.8878.02	33.51 lbs.	Ball valve and quick coupling assembly; 2.00" ANSI 150#; with mounting hardware
03	01PN.1031-00	1	316 SS	01.8406.01	124.96 lbs	Complete assembly; including reference 01 and 02
04	06PN.1674-00	1	316 SS	01.8836.00	21.88 lbs	6.00" Adapter flange for SC20AHP

Weight of an SC40RT with a length of 1500mm or 60 inches complete with reference 01 and 02 attached is approximately: 219.56 lbs.

Weight of and SC30T with a length of 1500mm or 60 inches complete with reference 091 and 02 attached is approximately 219.56 lbs.

Weight of and SC20AHP with a length of 915mm or 36 inches complete with reference 01 and 04 attached is approximately 128.13 lbs.

Orbijet, Inc.  
15200 Middlebrook Drive; Suite E  
Houston, Texas 77058  
United States of America

Phone : +1 281.218.9400  
Fax : +1 713.513.5884  
Email : eng@orbijet.com  
Website : www.orbijet.com