

SC F90A

Scanjet AirDriven Gas Freeing Fan



KEY FEATURES

SC F90A

- High Performance
- Lightweight
- Deep penetration
- Reversible
- "Sealed for life" Lubrication
- Easy Handling
- Safe Operation
- Airdriven

Product Summary:

The SC F90A is a Portable Air Driven Fan specifically designed for use on Chemical Carriers. It can also be used on all other types of vessels where air is preferable to water for operational reasons.

The fan is designed as a High Performance, Deep Penetration unit. Constructed from stainless steel and aluminium it is lightweight and easily moved around the deck.

Quality Control

The SC F90A is produced in accordance with 9001 Quality Standards and our certificate of conformity and accreditation is available on request.

Typical application for SC F90A:

- Chemical Tankers
- Product Tankers
- Any other Tankers



For accessories such as couplings, valves and hoses, please contact your local representative.



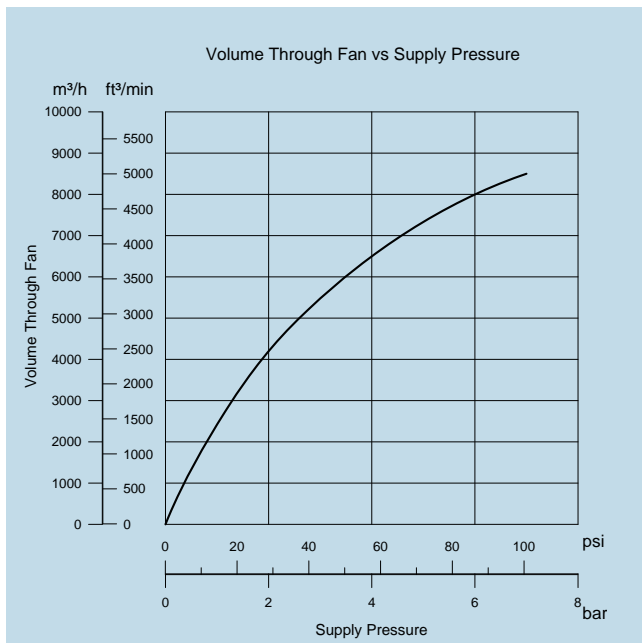
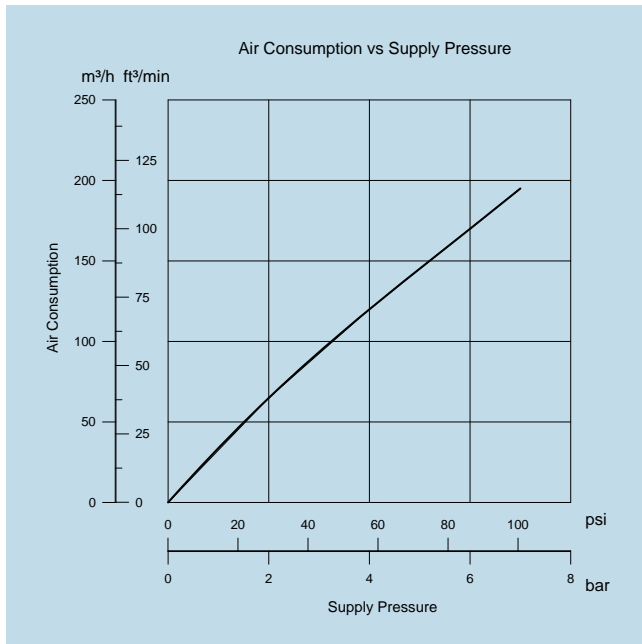
Distributed and Serviced by...
Tank Cleaning Technologies, Inc.
15200 Middlebrook Drive; Suite E
Houston, Texas 77058 - USA
Phone: +1 281.480.4041
Fax: +1 713 516.5883
Email: sales@tankcleantech.com

www.tankcleantech.com

Stocking Locations in USA, Canada and Mexico

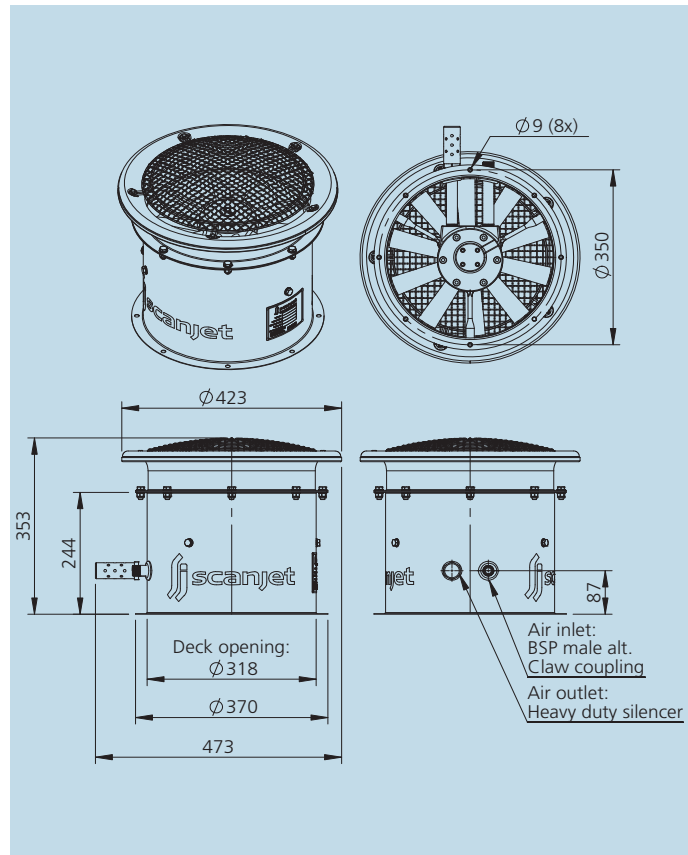


Technical performance



Adaptors can be supplied to suit other deck openings.

Dimensions



Specifications

Max Throughput:	9000 m ³ /hour (5297 CFM)
Max Air Consumption:	220 m ³ /hour (130 SCFM)
Operation Pressure:	Max 7,5 bar (109 PSI)
Supply Air Connection:	1" BSP male alt. Claw coupling Other couplings available

Materials

Casing:	Stainless Steel
Impeller:	Nickel Coated Aluminium
Lubrication:	Permanently lubricated

Installation

Minimum Deck Opening:	318 mm (12.52 inches)
-----------------------	-----------------------

Weight

Operational:	18,5 kg (40.7 lbs.)
Packed:	21 kg (46.2 lbs.)



Distributed and Serviced by...
 Tank Cleaning Technologies, Inc.
 15200 Middlebrook Drive; Suite E
 Houston, Texas 77058 - USA
 Phone: +1 281.480.4041
 Fax: +1 713 516.5883
 Email: sales@tankcleantech.com

www.tankcleantech.com

Stocking Locations in USA, Canada and Mexico