

Product Data Sheet

Product: ManWay Assembly



The Tank Cleaning Technologies ManWay Assembly is specifically designed to seat in most all center entry manway's located on Road and Rail Tankers. This assembly is complete with 1.50" NPT(M) inlet connection x 1.50" NPT(F) discharge connection. A vapor recovery port and deflection plate is also fitted as standard with this item.



Quick Couplings and Machine are not included in this Manway Assembly. Shown for clarity only.

General Specifications

M.O.C.	: 316L S/S
Finish	: 2B Mill
Vapor Port	: Yes
Maximum Opening	: 24.00"
Minimum Opening	: 18.00"

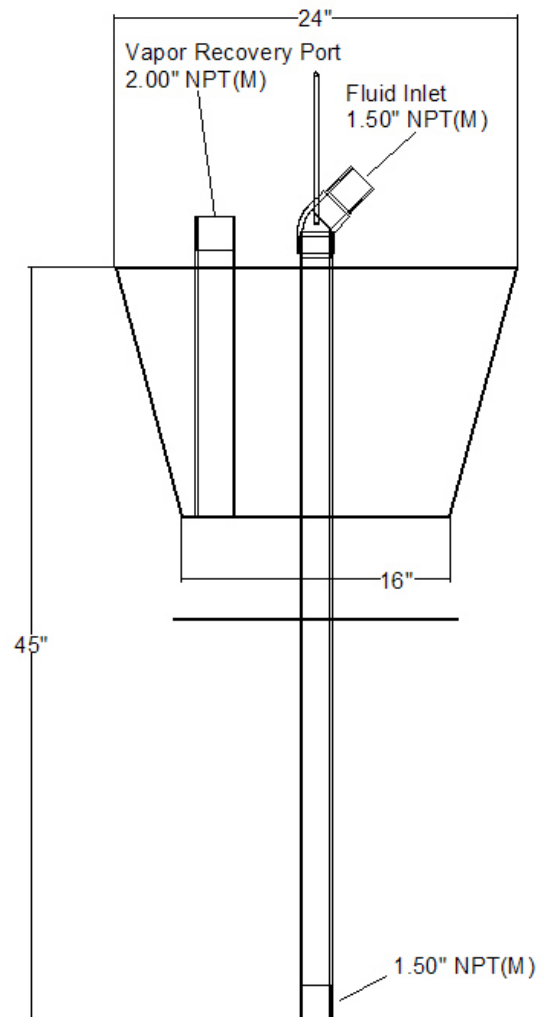


Image shown here is for the standard 177602-01 Manway Assembly. Add 1.00" on diameter of cone if Viton Vulcanization is included; part number 177602-05.

Part No.	Weight	Description
177602-01	66 lbs	No vulcanized cone



Distributed and Serviced by...
 Tank Cleaning Technologies, Inc.
 15200 Middlebrook Drive; Suite E
 Houston, Texas 77058 - USA
 Phone: +1 281.480.4041
 Fax: +1 713 516.5883
 Email: sales@tankcleantech.com

www.tankcleantech.com

Stocking Locations in USA, Canada and Mexico